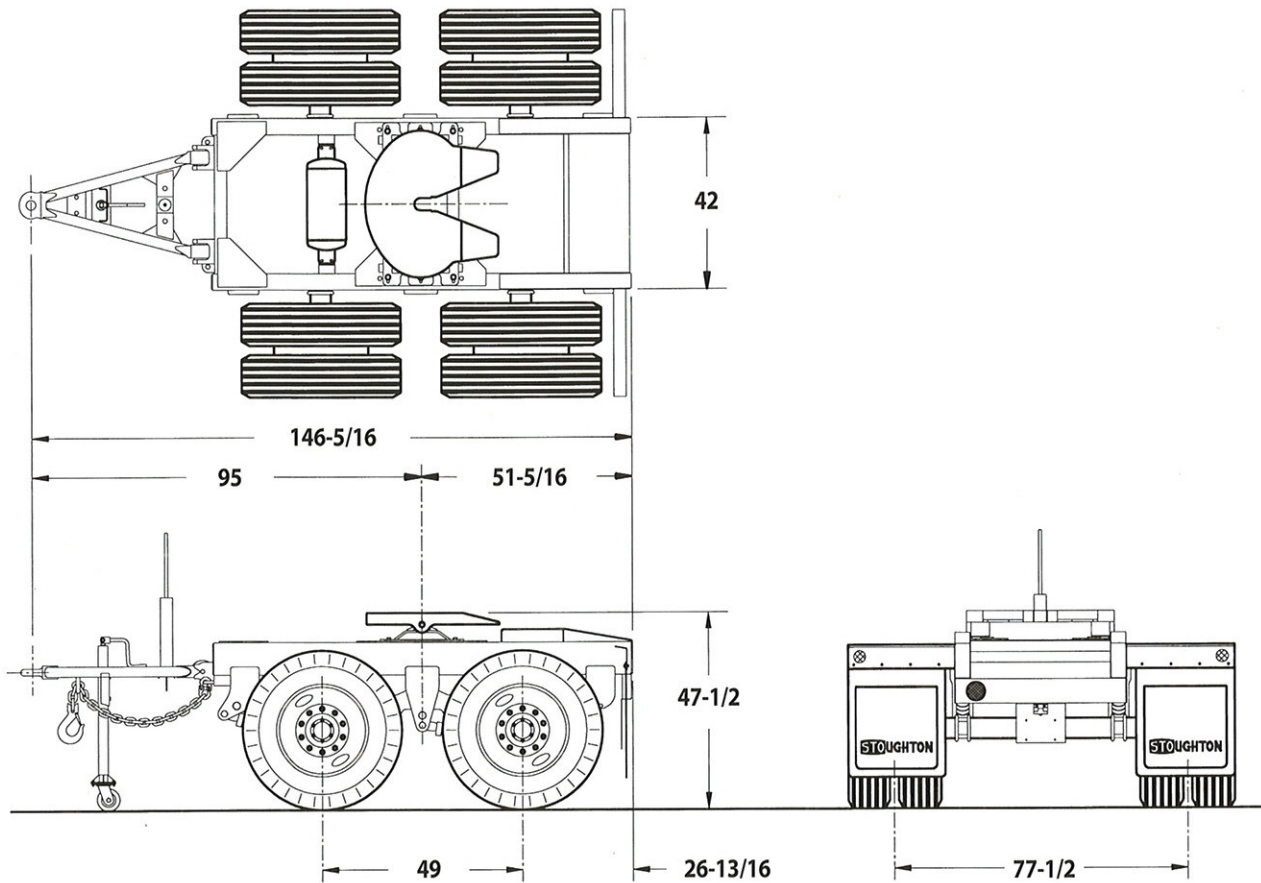


Standard Specifications – Double Dolly



Assy. No. Description

1	Base Models – DDW-T (Double Dolly, Tandem Axle)
2	Length – Refer to General Assembly drawing.
3	Width – Refer to General Assembly drawing.
4	Height – Refer to General Assembly drawing.
5	Capacity – 25,000 lb. axle-rated payload, 20 ton.
6	Suspension – Progressive action 3-leaf springs with straddle weld on type spring hangers.
7	Axle – 5" round 5/8" wall tubular beam axle (25,000 # capacity) Bearing – INNER - HM218248/218210. OUTER - HM212049/212011. Stemco Pro-Torq Axle Nuts.
8	Brakes – 16-1/2" x 7" air actuated with service and emergency hose assemblies (3'-0" and 8'-0") for connection of leading and trailing units, automatic slack adjusters – meets requirements of Federal Motor Vehicle Safety Standard No. 121 and complies with the New York Thruway provisions.
9	Hubs – 10 Stud hub-piloted with cast iron drums, 11-1/4" bolt circle.
10	Oil Seals – Semi-fluid grease with vented hub cap.

Assy. No. Description

11	Wheels – As requested.
12	Tires – As requested.
13	Support – Vertical screw type, single leg with operating crank and swivel type wheel.
14	Suspension Subframe – 8" x 4" rectangular tube x 102" long. Drawbar with hinges. Huge drawbar assembly with (2) 5/8" high-test chain with safety hooks.
15	Fifth Wheel – 36" cast steel, direct mounting without mounting channel. Center of 5th wheel to tow eye is 95". Fifth wheel centered between axles with 49" axle spacing.
16	Electrical – 12-volt system, 7-way socket, license light, stop and tail light per DOT/Federal Motor Vehicle Safety Standard No. 108. Includes 10'-0" jumper cable for connection of lead and trailing units.
17	Painting – Grit blasted prior to Epoxy primer and urethane top coat.

Specifications are subject to change without notice.

STOUGHTON

Stoughton Trailers, Inc.

416 S. Academy Street ■ Stoughton, Wisconsin 53589

608/873-2500 ■ FAX: 608/873-2575