



HALF ROUND END DUMP



TOLL FREE 1-877-466-2622



www.manac.us



STURDY, RELIABLE, AND LONG-LASTING. TO TAKE YOU WHEREVER YOU WANT.

< - - - - - HOWEVER YOU WANT. - - - - - >

XTREME DUTY AND WEAR RESISTANT



BUILT RUGGED, BUILT LIGHT

Manac,

The muscle, endurance, and performance to make you fly. The strength-to-weight ratio to make you efficient.

- **Lateral deflector**

Benefit : Protects over the center tail gate

- **Tail light guards**

Benefit : Protects tail light from products

- **Heavy Duty draft arms outboard mounted**

Benefit : Greater stability

- **Heavy Duty Coupler plate**

Benefit : Oscillating forward and backward

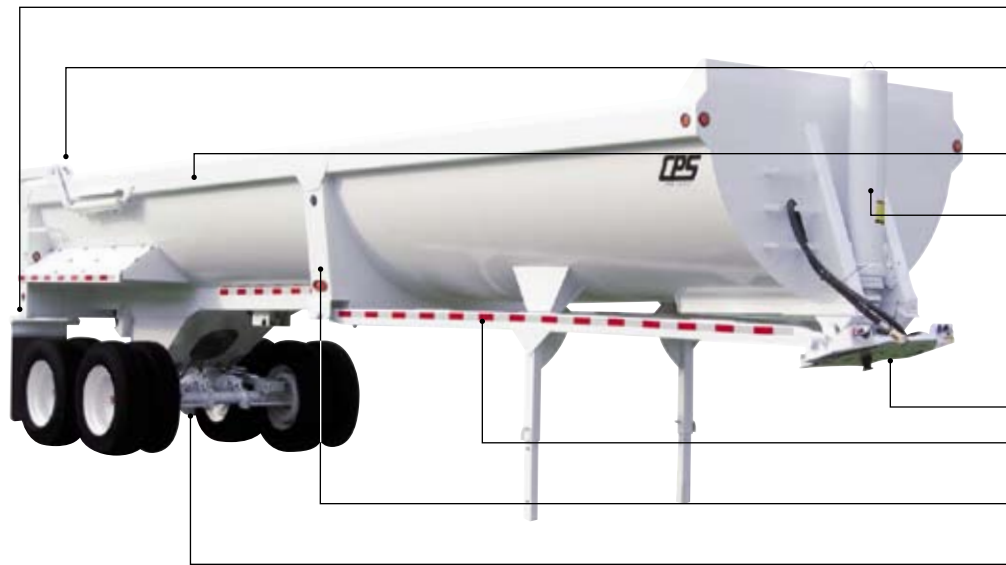
- **Custom fit sealed wiring harness**

Benefit : Tail lights are fully accessible from inside

- **Half round design Hardox AR 450**

Benefit : Damage resistant for severe applications

Standard features or specifications subject to change without notice.



- Bolt-on shock mounted fenders.
- High lift tailgate with an 87" opening. Front nose and tail gate of Hardox AR 450 steel.
- 12" x 4" top rail of hi-strength steel with integrated shedder.
- 8" 5-stage trunnion mounted hoist. No internal dog house to maintain.
- Oscillating coupler plate.
- Heavy Duty outboard mounted draft arms.
- Extra wide body braces are internally stiffened.
- 102" wide, 25,000 lb. capacity axles.

OPTIONAL FEATURES



Factory Installed Tarps & Tailgate Options



Multi-Axles



Air Suspensions



Quarter frame, Full frame available



High Volume

